

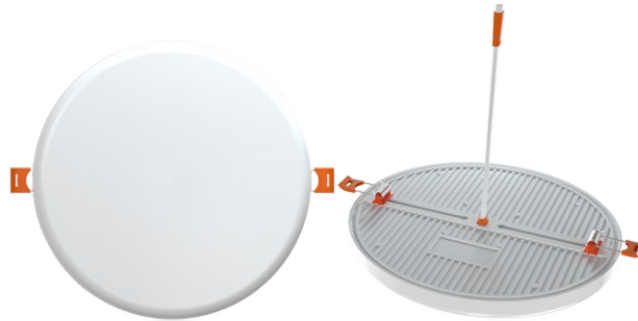


ZHONGSHAN XILE OPTOELECTRONIC TECHNOLOGY CO.,LTD.



Details

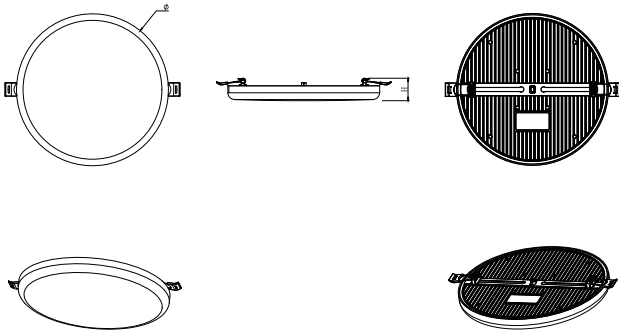
Datasheet- Small Panel Light Zeus III Series



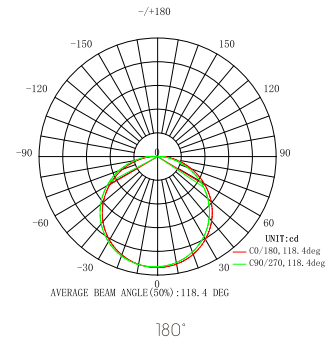
PARAMETERS:

| Model No | XLRPR-10W | XLRPR-18W | XLRPR-24W | XLRPR-36W |
|---------------|---------------|---------------|----------------|----------------|
| Power | 10W | 18W | 24W | 36W |
| Efficacy | 100LM/W | 100LM/W | 100LM/W | 115LM/W |
| Power Factor | 0.5/0.9 | | | |
| CRI | 70/80 | | | |
| Beam Angle | 180° | | | |
| LED | SMD2835*63 | SMD2835*96 | SMD2835*144 | SMD2835*255 |
| Diameter(mm) | Φ100*16 | Φ120*16 | Φ170*16 | Φ220*16 |
| Hole size(mm) | 55MM<CUT<70MM | 55MM<CUT<95MM | 55MM<CUT<140MM | 55MM<CUT<190MM |

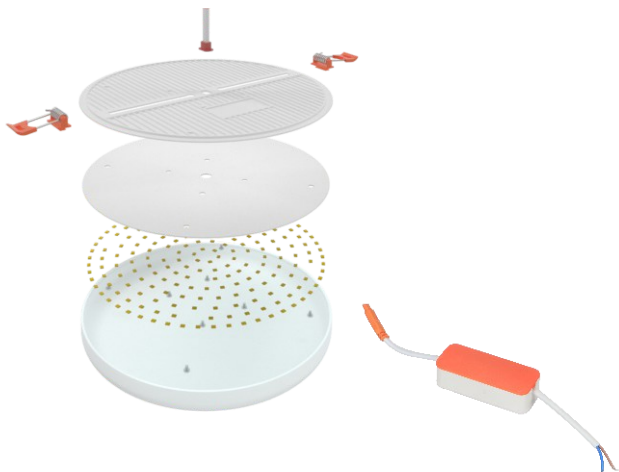
DIMENSIONS



LIGHTING DISTRIBUTIONS



EXPLODE



APPLICATIONS

